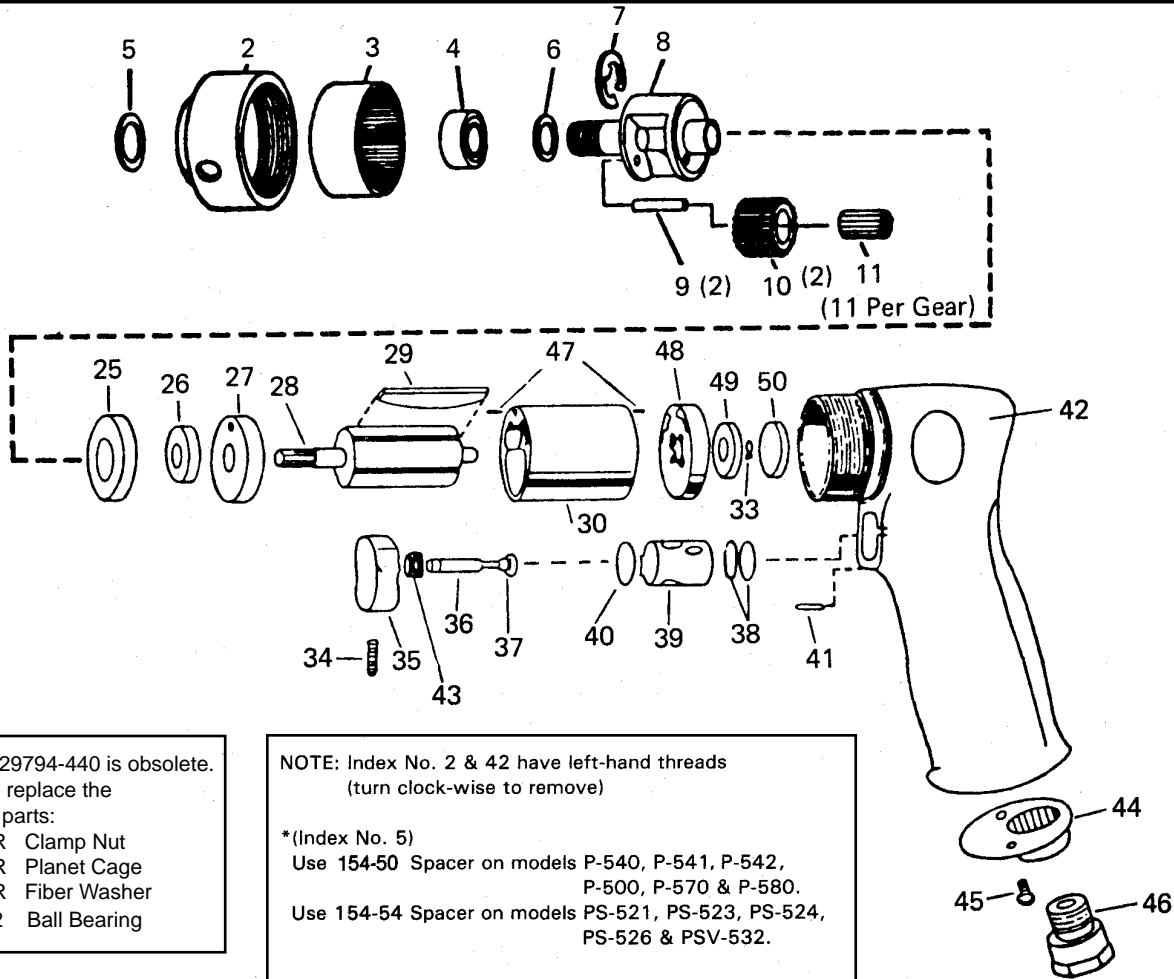




# PARTS LIST FOR PNEUMATIC POWER UNITS

253-38 (SERIAL NUMBER 2001 TO 9600)

253-57 (SERIAL NUMBER 9601 & HIGHER)



**\*\*Part #729794-440 is obsolete.**  
To repair, replace the following parts:  
729799-R Clamp Nut  
729794-R Planet Cage  
729797-R Fiber Washer  
49423-02 Ball Bearing

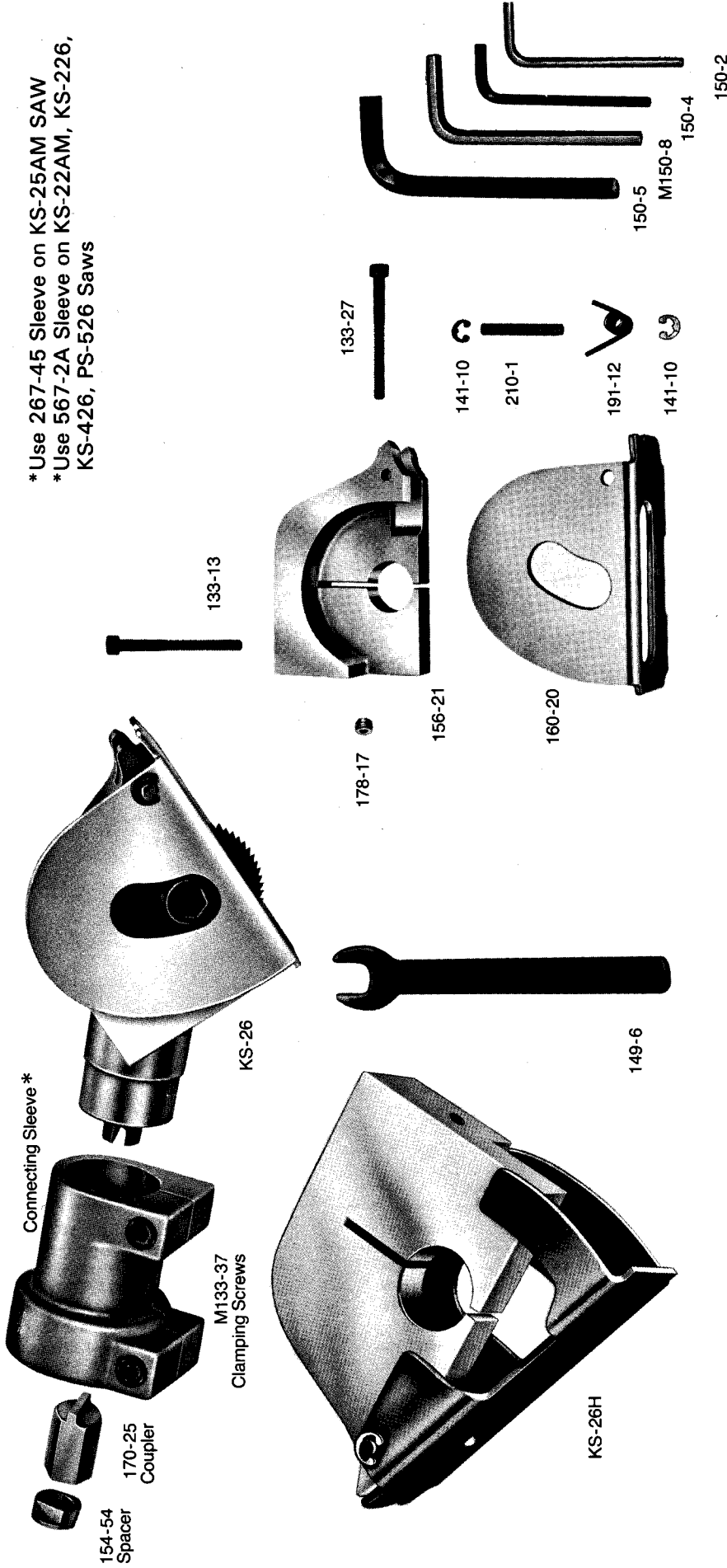
**NOTE: Index No. 2 & 42 have left-hand threads (turn clock-wise to remove)**

**\*(Index No. 5)**  
Use 154-50 Spacer on models P-540, P-541, P-542, P-500, P-570 & P-580.  
Use 154-54 Spacer on models PS-521, PS-523, PS-524, PS-526 & PSV-532.

| INDEX NO. | PART NO.   | DESCRIPTION                               | REQ'D TOOL | INDEX NO. | PART NO.   | DESCRIPTION     | REQ'D TOOL |
|-----------|------------|---|------------|-----------|------------|-----------------|------------|
| 2         | 729799-R   | Clamp Nut (253-57)                        | 1          | 29        | 729709     | Rotor Blade     | 4          |
|           | 729799-440 | Clamp Nut (253-38)                        | 1          | 30        | 729708     | Cylinder        | 1          |
| 3         | 729798     | Internal Gear                             | 1          | 33        | 1012831    | Retaining Ring  | 1          |
| 4         | 49423-02   | Ball Bearing (253-57)                     | 1          | 34        | 731928     | Set Screw       | 1          |
|           | 1008854    | Ball Bearing (253-38)                     | 1          | 35        | 731929     | Trigger         | 1          |
| 5         | 154-*      | Spacer                                    | 1          | 36        | 731926     | Valve Stem      | 1          |
| 6         | 729797-R   | Fiber Washer (253-57)                     | 1          | 37        | 729591     | O-ring          | 1          |
|           | 729797     | Fiber Washer (253-38)                     | 1          | 38        | 729091     | O-ring          | 2          |
| 7         | 729208     | Ret. Ring (used only on 253-38)           | 1          | 39        | 731927     | Valve Bushing   | 1          |
| 8         | 729794-R   | Planet Cage (253-57)                      | 1          | 40        | 729263     | O-ring          | 1          |
|           | 729794-440 | Planet cage (253-38) obsolete**           | 1          | 41        | 731930     | Pin             | 1          |
| 9         | 729796-440 | Planet Pin                                | 2          | 42        | 731923-440 | Motor Housing   | 1          |
| 10        | 729795     | Planet Gear (incl. 729808 Needle Rollers) | 2          | 43        | 731925     | Valve Spring    | 1          |
| 11        | 729808     | Needle Rollers (see 729795 Planet Gear)   | 22         | 44        | 731922     | Housing End Cap | 1          |
| 25        | 1008212    | Ball Bearing                              | 1          | 45        | 731921     | Screw           | 2          |
| 26        | 1001532    | Ball Bearing                              | 1          | 46        | 731920     | Air Inlet       | 1          |
| 27        | 729793     | Front Plate                               | 1          | 47        | 729707     | Dowel Pin       | 2          |
| 28        | 729792     | Rotor                                     | 1          | 48        | 729791     | Rear Plate      | 1          |
|           |            |   |            | 49        | 729012     | Ball Bearing    | 1          |
|           |            |   |            | 50        | 729178     | Bearing Seal    | 1          |



# Component Parts of KS-26 Saw Unit



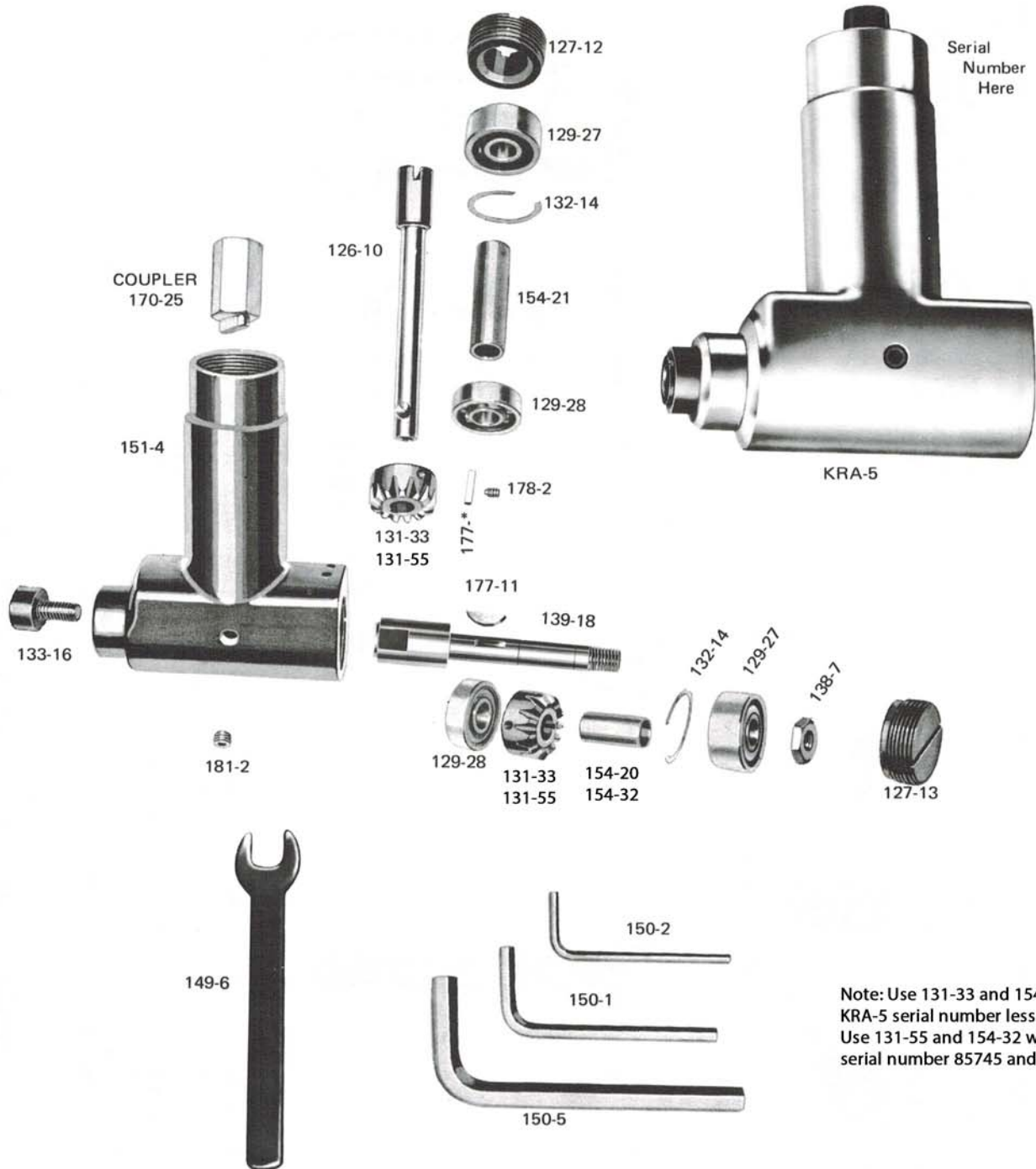
\* Use 267-45 Sleeve on KS-25AM SAW  
 \* Use 567-2A Sleeve on KS-22AM, KS-226, KS-426, PS-526 Saws

| Part No. | Description           | Part No. | Description          | Part No. | Description                      |
|----------|-----------------------|----------|----------------------|----------|----------------------------------|
| 133-13   | Socket Head Cap Screw | 150-4    | 5/32" Socket Key     | 178-17   | Set Screw                        |
| 133-27   | Clamping Screw        | 150-5    | 5/16" Socket Key     | 191-12   | Coil Spring                      |
| M133-37  | Clamping Screw        | M150-8   | 5MM Socket Key       | 210-1    | Guard Pin                        |
| 141-10   | Retaining Ring        | 154-54   | Spacer               | 267-45   | Connecting Sleeve                |
| 149-6    | Spindle Wrench        | 156-21   | Saw Body             | 268-20   | KS-26H Saw Body & Guard Assembly |
| 150-2    | 1/8" Socket Key       | 160-20   | Saw Guard            | 567-2A   | Connecting Sleeve                |
|          |                       | 170-25   | Safety Shear Coupler |          |                                  |

**THE KETT TOOL COMPANY**  
 5055 Madison Road • Cincinnati, Ohio 45227 • (513) 271-0333

# COMPONENT PARTS FOR KRA-5 GEARED ANGLE HEAD

s/n 15241 & higher



Note: Use 131-33 and 154-20 with KRA-5 serial number less than 85744  
Use 131-55 and 154-32 with KRA-5 serial number 85745 and greater.

| Part No. | Description     | Part No. | Description     | Part No. | Description                                    |
|----------|-----------------|----------|-----------------|----------|--|
| 126-10   | Input Spindle   | 139-18   | Output Spindle  | 177-*    | Key (See serial number on neck of KRA-5 above) |
| 127-12   | Retaining Screw | 149-6    | Spindle Wrench  |          | S/N 15240 & lower use 177-7 square key.        |
| 127-13   | Retaining Screw | 150-1    | 3/16 Socket Key |          | S/N 15241 & higher use 177-11 Woodruff Key     |
| 129-27   | Ball Bearing    | 150-2    | 1/8 Socket Key  | 178-2    | Socket Head Set Screw                          |
| 129-28   | Ball Bearing    | 150-5    | 5/16 Socket Key | 181-2    | Screw Plug                                     |
| 131-33   | Mitre Gear      | 151-4    | Housing         |          |  |
| 131-55   | Mitre Gear      | 154-20   | Sleeve          |          |  |
| 132-14   | Shim            | 154-32   | Sleeve          |          |  |
| 133-14   | Clamping Screw  | 154-21   | Sleeve          |          |  |
| 133-16   | Spindle Bolt    | 170-25   | Coupler         |          |  |
| 138-7    | Jam Nut         | 177-11   | Woodruff Key    |          |  |